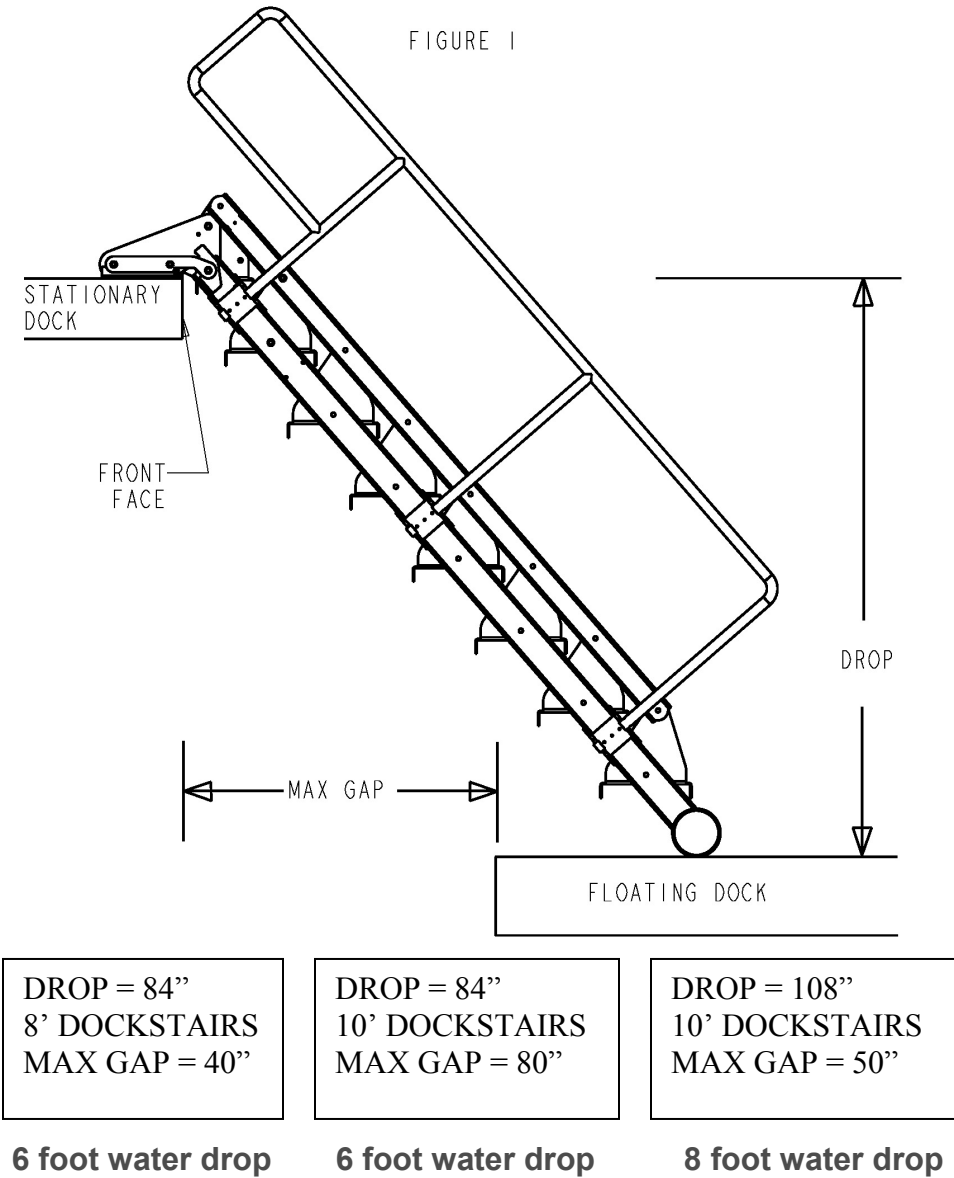


DockStairs Application Guide

Thank you for taking the time to review this application guide. It is important to make sure your dock is in the proper configuration to mount the DockStairs, so they work properly.

Figure one shows how to evaluate the relationship between the floating dock and the stationary dock. We want to make sure you have the floating dock positioned to support the DockStairs at low water.



DockStairs Application Guide

Figure two shows how the dock brackets are mounted to the stationary dock. The brackets are designed to bolt to the first two 2x6 boards at the edge of the stationary dock. It is important to have boards in good condition, and level in both directions.

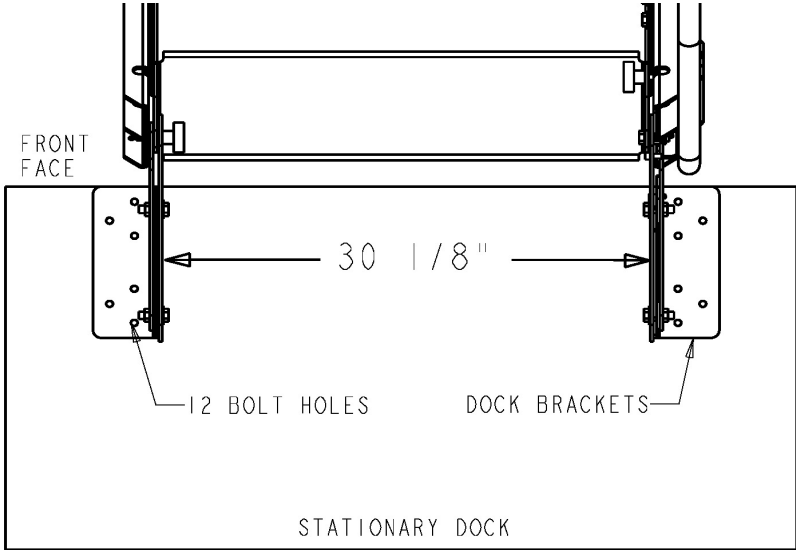


FIGURE 2

Figure three shows acceptable dock layouts for proper alignment of the DockStairs. The floating dock should allow for full travel of the wheels at high and low water.

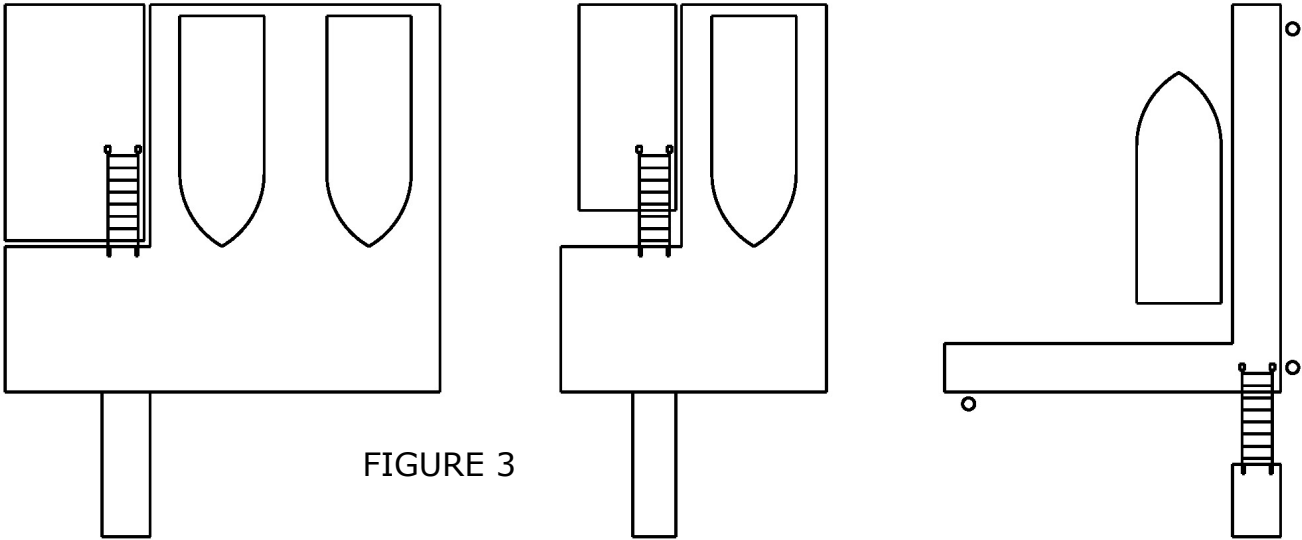


FIGURE 3